

*Winfield*<sup>®</sup>

Lavatory  
**L2017-4W**



**Features**

- Oval Basin
- With Overflow
- 3 Faucet Holes
- 4" Faucet Hole Spacing
- High Gloss Ceramic Finish

**Installation**

Drop-in

**Material**

Vitreous china

**Measurements**

**L 20", W 17", H 7-1/4"**

**Codes / Standards**

ANSI/ASME A112.19.2M-1990

**Features:**

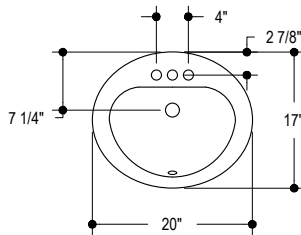
- Vitreous China
- Under counter mounted

**Codes/Standards:**

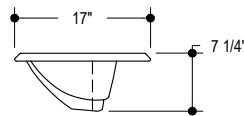
- ASME A112.19.2/CSA B45.1
- EPA Watersense
- ICC/ANSI A117.1



DIMENSIONS

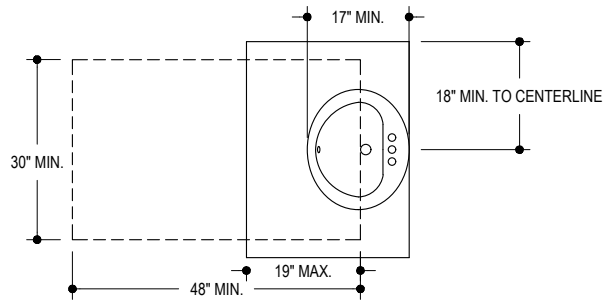
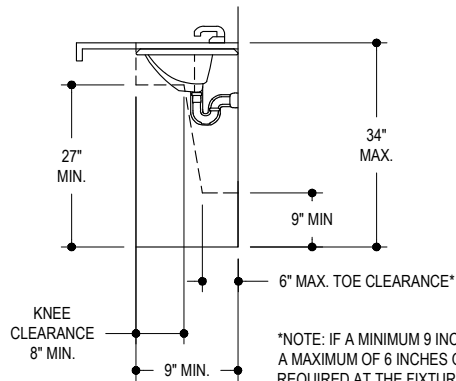


TOP VIEW



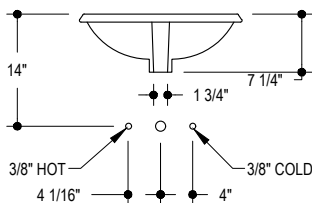
SIDE VIEW

TO MEET THE ADA COMPLIANCE THE COUNTERTOP MUST BE INSTALLED AT THE RECOMMENDED HEIGHT.

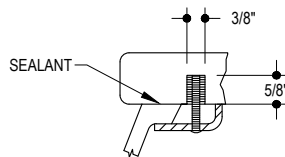


\*NOTE: IF A MINIMUM 9 INCHES HEIGHT OF TOE CLEARANCE IS PROVIDED, A MAXIMUM OF 6 INCHES OF THE 48 INCHES OF CLEAR FLOOR SPACE REQUIRED AT THE FIXTURE MAY EXTEND INTO THE TOE SPACE.

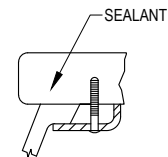
INSTALLATIONS



STANDARD INSTALLATION



MARBLE INSTALLATION



WOOD INSTALLATION

\*SPEC SHEET CONTAIN ROUGH-IN MEASUREMENTS WHICH MAY VARY BY 1/4" (+/-) AND ARE SUBJECT TO STANDARD INDUSTRY TOLERANCES. SPECS MAY CHANGE WITHOUT PRIOR NOTICE, PLEASE CHECK WITH YOUR SALES REP FOR MOST UP TO DATE SPEC SHEET.