



Lavatory  
**K11-2018**



**Features**

- Rectangular basin
- With overflow
- 1 faucet hole
- High gloss ceramic finish

**Installation**

Vessel

**Material**

Vitreous china

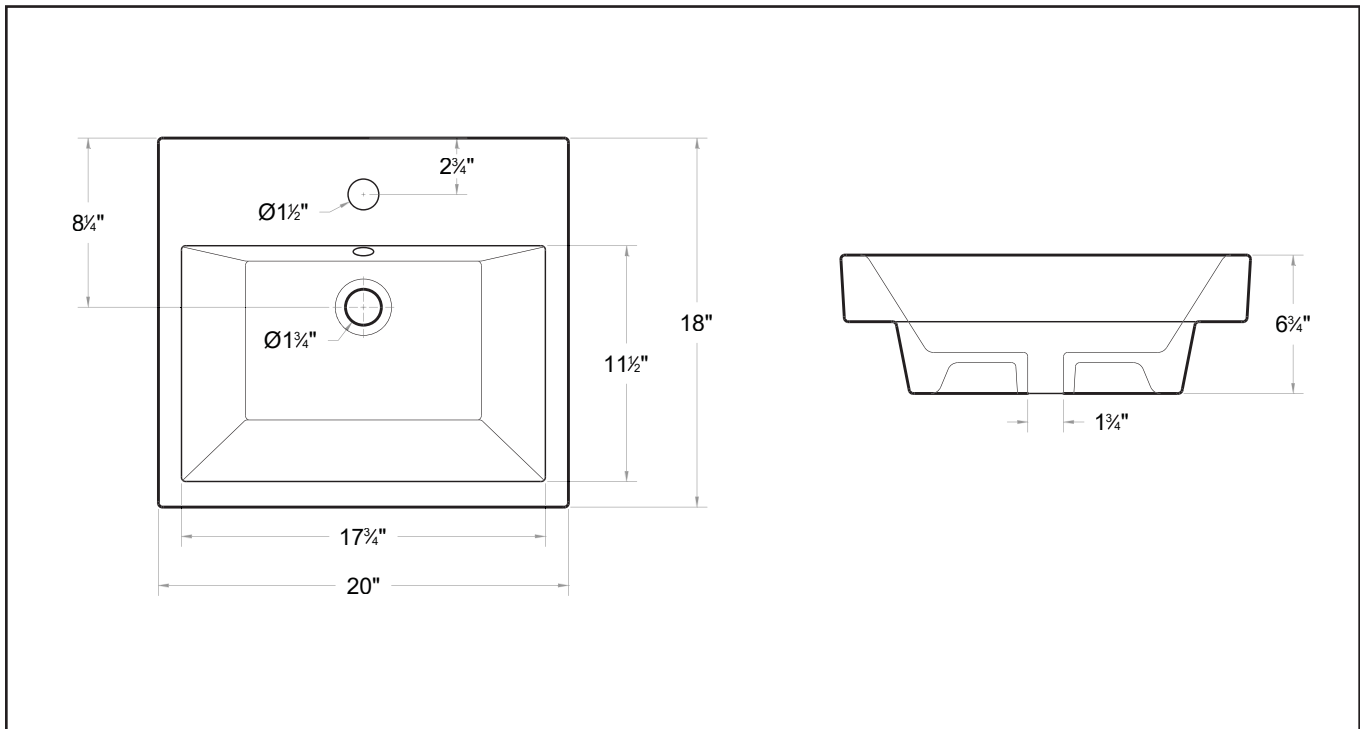
**Measurements**

**L 20", W 18", H 6-3/4"**

**Codes / Standards**

ANSI/ASME A112.19.2M-1990

Lavatory  
K11-2018



**Note**

- Spec sheets contain rough-in measurements which may vary by 1/4" (±) and are subject to standard industry tolerances. They are stated in inches and are non-binding. Exact measurements, for particular or customized installation schemes, should only be taken from the finished product.
- Specs may change without prior notice, please check with your sales rep for most up to date spec sheet.