

*Winfield*<sup>®</sup>

Flushometer-Valve Toilet  
**T165**





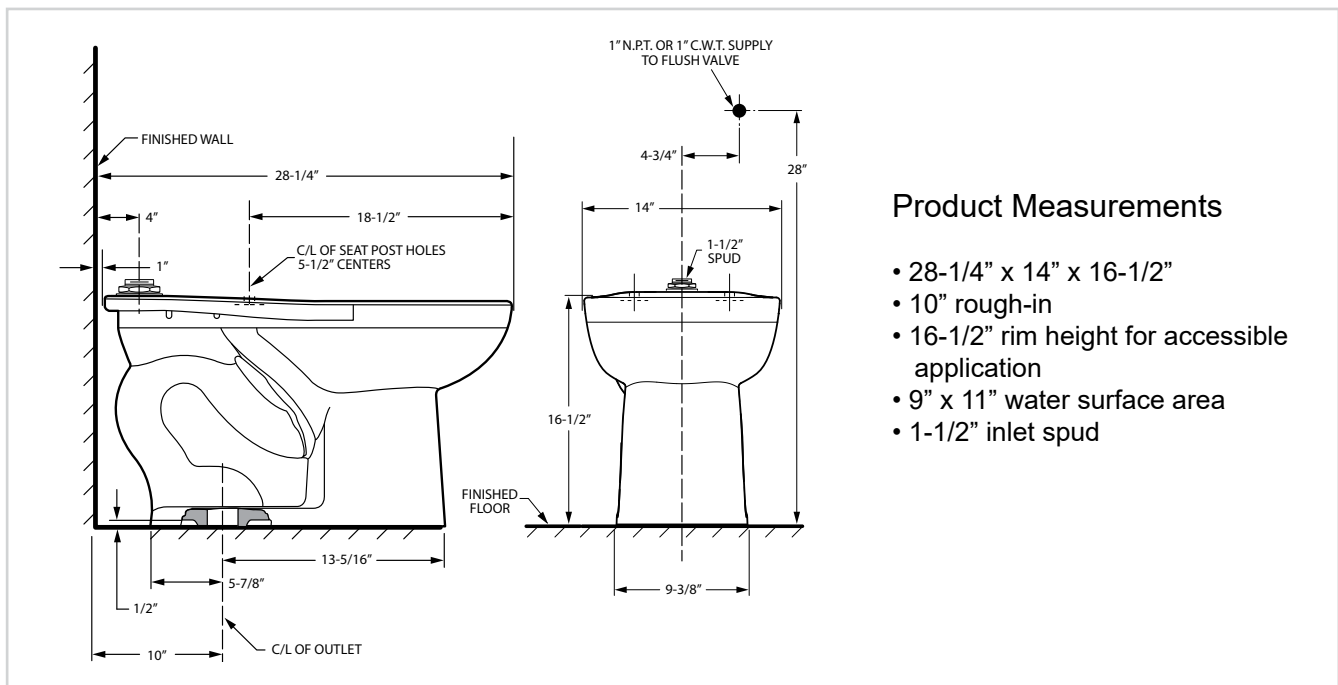
# Flushometer-Valve Toilet T165

## Features

- Operates in the range of 1.1 gpf to 1.6 gpf (4.2 Lpf to 6.0 Lpf)
- Meets definition of HET (High Efficiency Toilet) when used with a high efficiency flush valve (1.28 gpf or 1.6 / 1.1 gpf dual flush)
- Elongated bowl
- Floor mount flushometer valve toilet
- Powerful direct-fed siphon jet action
- Fully glazed 2-1/8" trapway
- 1-1/2 Brass inlet, Waxed Ring, Floor Bolts and Bolt Caps included
- 10" Rough-in, Comfort Height



\* Flush valve not included



### Product Measurements

- 28-1/4" x 14" x 16-1/2"
- 10" rough-in
- 16-1/2" rim height for accessible application
- 9" x 11" water surface area
- 1-1/2" inlet spud

- Spec sheets contain rough-in measurements which may vary by 1/4" (±) and are subject to standard industry tolerances.
- Specs may change without prior notice, please check with your sales rep for most up to date spec sheet.

To Be Specified:

Color:

Seat:

Supply with Stop:

This space for Architecture/Engineer approval