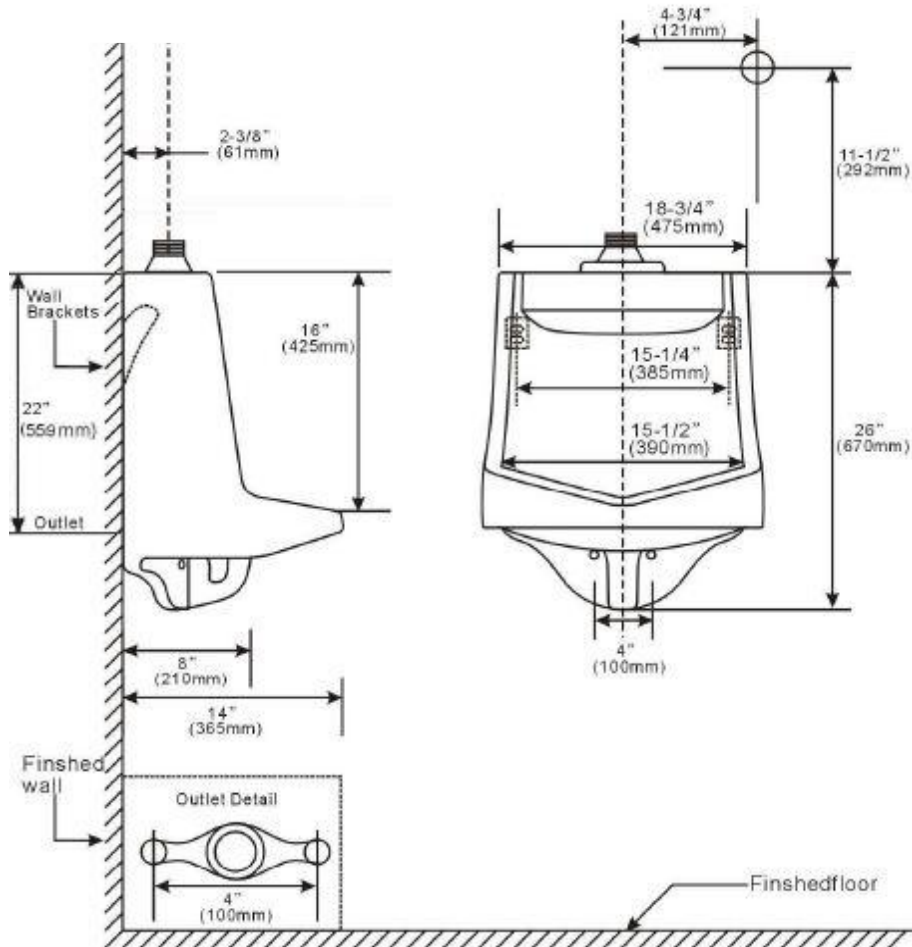


Item #U241

Urinal

Features:

- UPC Certified
- 0.5-1.0 gpf
- ¾" Top Spud
- 2" I.P.S. Outlet Flange and Rubber Gasket with Integral Trap
- 14" Extended Rim for ADA Compliance when Installed at Proper Height
- **Dimensions: 18-3/4"x26"x14"**



Rough in Dimensions: Spec sheets contain rough-in measurements, which may vary by ¼(+/-). Measurements are stated in Inches & are non-binding. We are committed to continual product improvement; specifications are subject to change without notice.

Winfield Products

Phone 909.666.5111 www.winfieldproduct.com