

Winfield® Vitreous China

U240

Features:

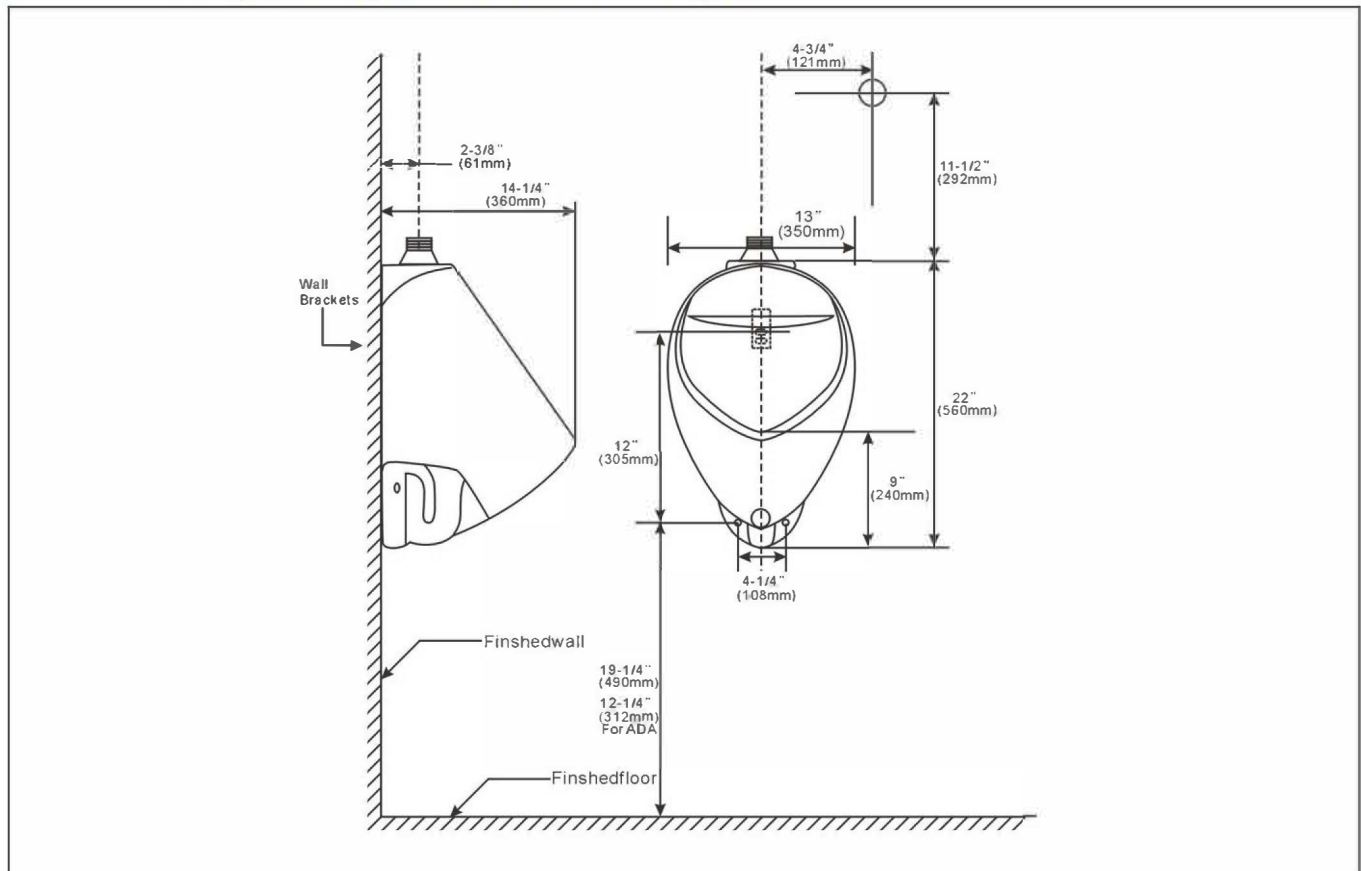
- 0.5 - 1.0 gpf
- Size: 13" x 22" x 14-1/4"
- Washout flushing action
- 3/4" top spud
- 2" I.P.S. outlet flange and rubber gasket with integral trap

Repair Parts and Services
Winfield Products
909-666-5111



Rough-in Dimensions

Please note: Spec sheets contain rough-in measurements which may vary by 1/4 (+/-) and are subject to standard industry tolerances. They are stated in inches and are non-binding. Exact measurements, for particular or customized installation schemes, should only be taken from the finished product.



Winfield Products

1689 E Mission Blvd. Pomona CA 91766