

*Winfield*<sup>®</sup>

Lavatory  
**L1645-1W**



**Features**

- Rectangular Basin
- With Overflow
- Single Faucet Hole
- High Gloss Ceramic Finish

**Installation**

Drop-In

**Material**

Vitreous china

**Measurements**

**L** 21-1/4", **W** 18-1/2", **H** 7-1/4"

**Codes / Standards**

ANSI/ASME A112.19.2M-1988

**Features:**

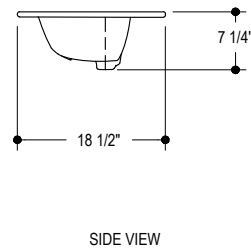
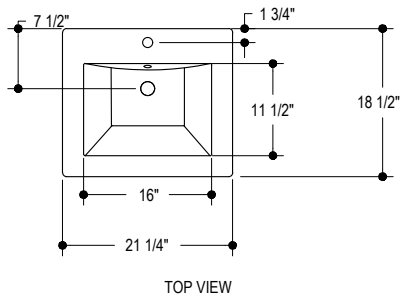
- Vitreous China
- 1 Faucet Hole

**Codes/Standards:**

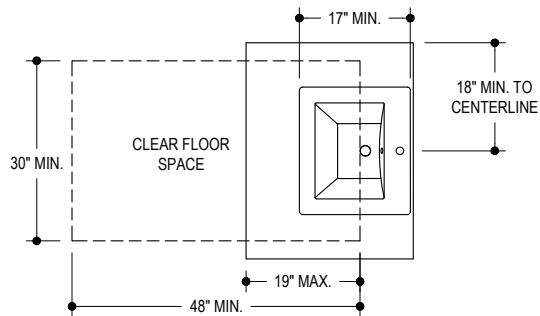
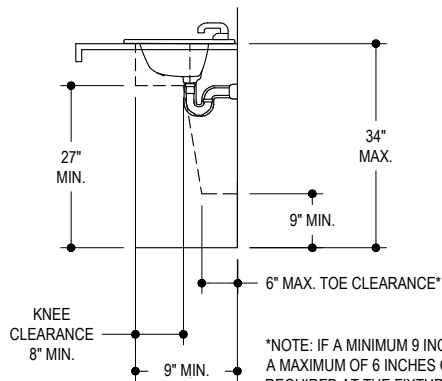
- ASME A112.19.2M-1988
- EPA Watersense
- ICC/ANSI A117.1



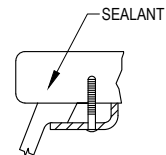
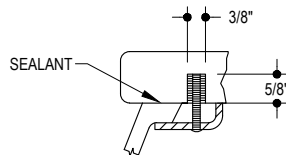
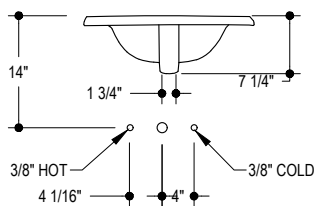
DIMENSIONS



RECOMMENDED INSTALLATION NON-ADA COMPLIANT



INSTALLATIONS



\*SPEC SHEET CONTAIN ROUGH-IN MEASUREMENTS WHICH MAY VARY BY 1/4" (+/-) AND ARE SUBJECT TO STANDARD INDUSTRY TOLERANCES. SPECS MAY CHANGE WITHOUT PRIOR NOTICE, PLEASE CHECK WITH YOUR SALES REP FOR MOST UP TO DATE SPEC SHEET.