

Winfield[®]

Lavatory
L2017-4W



Features

- Oval Basin
- With Overflow
- 3 Faucet Holes
- 4" Faucet Hole Spacing
- High Gloss Ceramic Finish

Installation

Drop-in

Material

Vitreous china

Measurements

L 20", **W** 17", **H** 7-1/4"

Codes / Standards

ANSI/ASME A112.19.2M-1990

Features:

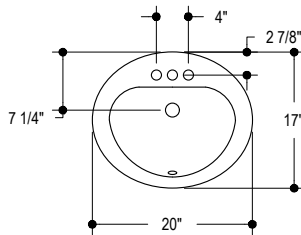
- Vitreous China
- Under counter mounted

Codes/Standards:

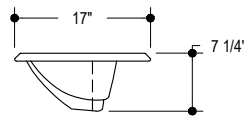
- ASME A112.19.2/CSA B45.1
- EPA Watersense
- ICC/ANSI A117.1



DIMENSIONS

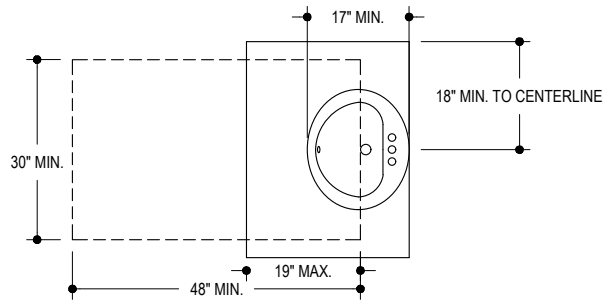
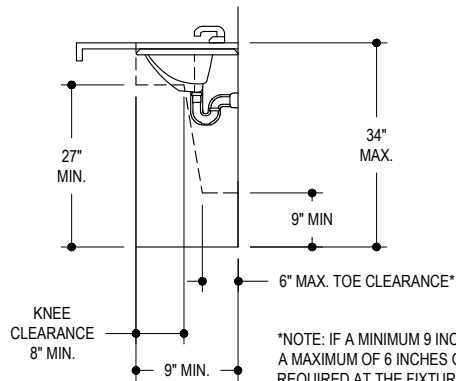


TOP VIEW



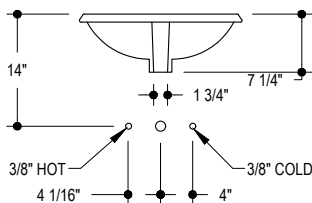
SIDE VIEW

RECOMMENDED INSTALLATION NON-ADA COMPLIANT

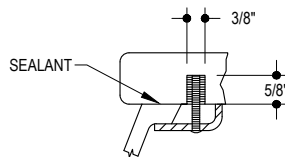


*NOTE: IF A MINIMUM 9 INCHES HEIGHT OF TOE CLEARANCE IS PROVIDED, A MAXIMUM OF 6 INCHES OF THE 48 INCHES OF CLEAR FLOOR SPACE REQUIRED AT THE FIXTURE MAY EXTEND INTO THE TOE SPACE.

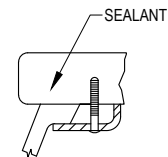
INSTALLATIONS



STANDARD INSTALLATION



MARBLE INSTALLATION



WOOD INSTALLATION

*SPEC SHEET CONTAIN ROUGH-IN MEASUREMENTS WHICH MAY VARY BY 1/4" (+/-) AND ARE SUBJECT TO STANDARD INDUSTRY TOLERANCES. SPECS MAY CHANGE WITHOUT PRIOR NOTICE, PLEASE CHECK WITH YOUR SALES REP FOR MOST UP TO DATE SPEC SHEET.