

Lavatory
L1916



Features

- Oval basin
- With overflow
- 3 faucet holes
- High gloss ceramic finish

Material

Vitreous china

Measurements

L 18-1/2", **W** 16-1/4", **H** 7"

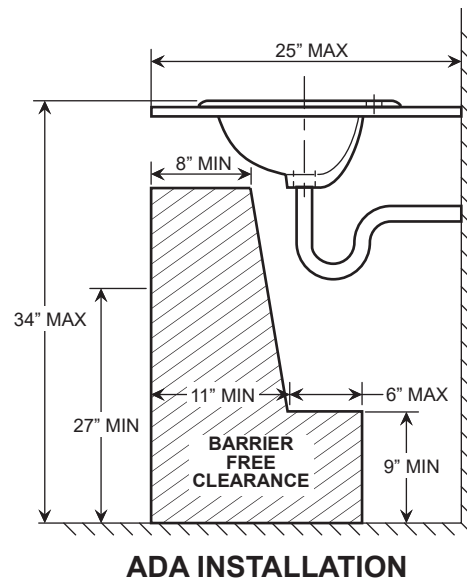
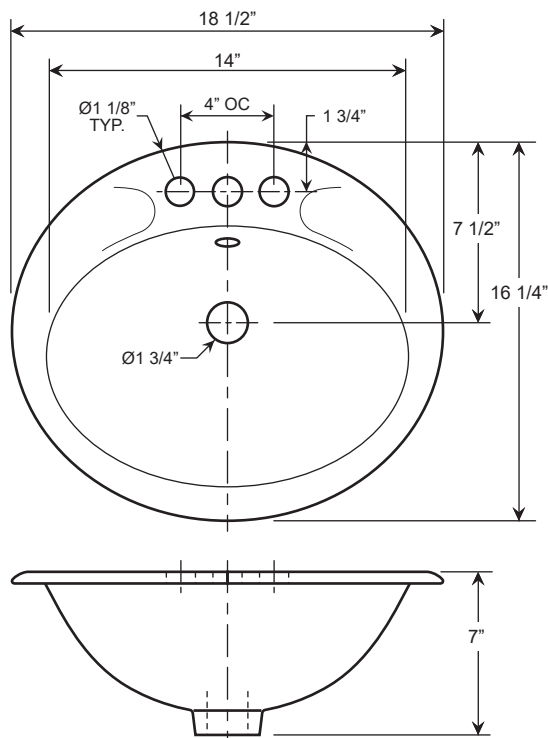
Installation

Drop-in

Codes / Standards

ANSI/ASME A112.19.2M-1990

Lavatory L1916



Note

- Spec sheets contain rough-in measurements which may vary by 1/4" (±) and are subject to standard industry tolerances. They are stated in inches and are non-binding. Exact measurements, for particular or customized installation schemes, should only be taken from the finished product.
- Specs may change without prior notice, please check with your sales rep for most up to date spec sheet.