

Winfield[®]

One-Piece Toilet
T21019D

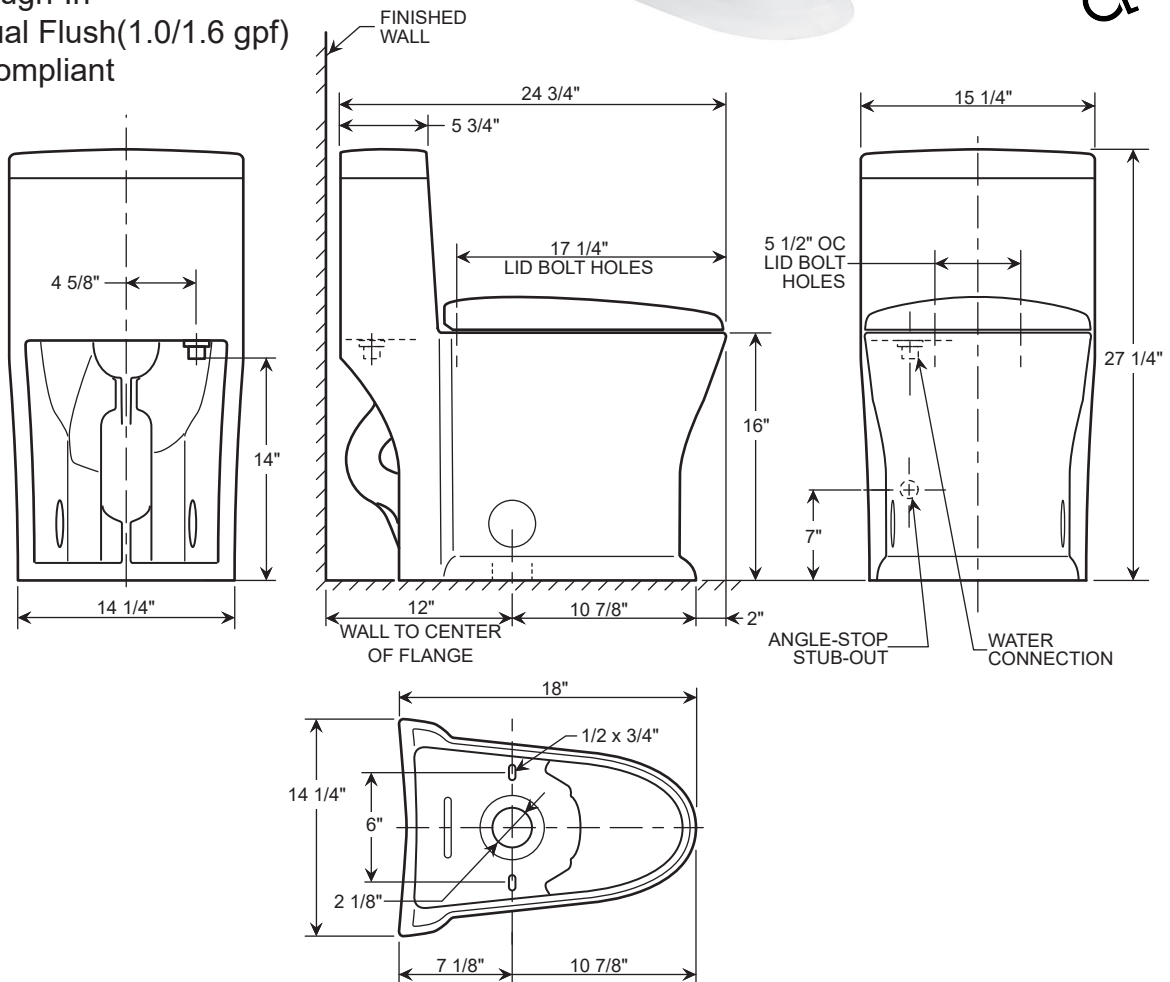


One-Piece Toilet T21019D

Winfield[®]

Features

- One-piece Toilet
- Round Front
- Includes Seat and Cover
- CUPC Listed
- 2" Flush Valve
- 2-1/8" Fully Glazed Trapway
- 12" Rough-In
- Top Dual Flush(1.0/1.6 gpf)
- ADA compliant



BOTTOM VIEW OF BOWL

- Spec sheets contain rough-in measurements which may vary by 1/4" (±) and are subject to standard industry tolerances.
- Specs may change without prior notice, please check with your sales rep for most up to date spec sheet.

To Be Specified:

- Color:
- Seat:
- Supply with Stop:

This space for Architecture/Engineer approval