

**Winfield**<sup>®</sup>  
Simple Elegance

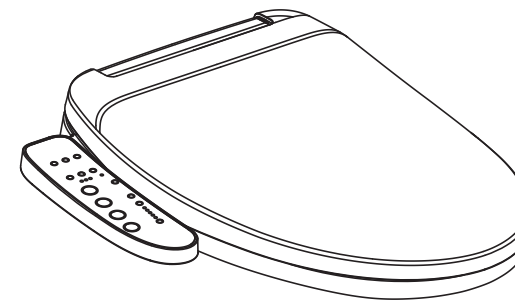
**TSE25S**  
(F1S525)

**USER MANUAL**  
Bidet Seat



[WWW.WINFIELDPRODUCT.COM](http://WWW.WINFIELDPRODUCT.COM)

**ELECTRONIC TOILET SEAT**



**TABLE OF CONTENTS**

- SAFETY PRECAUTIONS ..... 01
- PARTS DIAGRAM ..... 05
  - PRODUCT OVERVIEW ..... 05
  - CONTROL PANEL ..... 06
- PRODUCT INSTALLATION ..... 07
  - TOOLS NEEDED ..... 07
  - PARTS INCLUDED ..... 07
  - BEFORE INSTALLATION ..... 08
  - INSTALLATION STEPS ..... 09
- PRODUCT OPERATION ..... 11
  - BASIC FUNCTIONS ..... 11
  - DRYER ..... 13
  - UV STERILIZATION ..... 13
  - OTHER FUNCTIONS ..... 14
  - RESTORING FACTORY SETTINGS ..... 14
  - MAINTENANCE ..... 15
  - TROUBLESHOOTING ..... 17
- PRODUCT INFORMATION ..... 19
  - SPECIFICATIONS ..... 19
  - MODEL COMPARISON CHART ..... 20
- CONTACT US ..... 21

# SAFETY PRECAUTIONS

## IMPORTANT! READ ALL INSTRUCTIONS BEFORE USING

Please carefully read this manual before use and keep for future reference.

The following icons are used in this manual to indicate varying severities of hazards. Please abide by these precautions, otherwise serious consequences may occur.

### NOTATION

**WARNING** . . . . Please pay close attention to avoid serious harm or accidents.

**ATTENTION** . . . . If not attentive, body or property damage may result.



. . . . Caution! Comply with guidelines.



. . . . Prohibited action!



. . . . Do not dismantle!



. . . . Keep away from direct contact with water or any liquid.



. . . . Do not touch this area!



. . . . Do not touch this area with wet hands!



. . . . Keep away from fire!



. . . . Operate as instructed.



. . . . Please unplug!



. . . . Please confirm it is grounded!

# SAFETY PRECAUTIONS

## WARNING

**Make sure the power supply is grounded.**

▶ Otherwise, electric shock may occur.  
▶ Please consult qualified electrician or serviceman if the power supply is not grounded.



**Do not place lit cigarettes or other ignited items on the product.**

▶ Otherwise, fire may occur.



**Do not touch or plug in the cord with wet hands.**

▶ Otherwise, electric shock may occur.



**Do not place lit cigarettes or other ignited items on the product.**

▶ Otherwise, the device may be damaged or malfunction.



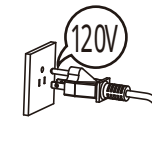
**Do not connect power cord if the cord is damaged or broken.**

▶ Otherwise, electric shock or fire may occur.



**The product must be connected to standard voltage power source (AC120V±10%,Max Current 15A).**

▶ Otherwise, electric shock or fire may occur.



**When the seat or lid is broken, please unplug the power and shut down the water supply.**

▶ Otherwise, electric shock or fire may occur.



**Unplug and clean the dust on the power cord with a dry cloth regularly.**

▶ Otherwise, fire may occur due to bad insulation.



**Individuals who are handicapped (physically, mentally, or emotionally) must be accompanied during use.**

▶ Otherwise, long-term use may cause low-grade burns.



**Do not forcefully pull, break, bend, strip, twist, or over squeeze the power cord and cable.**

▶ Otherwise, electric shock or fire may occur.



**Children should not play with this product.**

▶ Otherwise, injury may occur.



**The cord must be replaced by authorized personnel**

▶ Otherwise, electric shock or fire may occur.



**Do not dismantle this product to repair or remodel. Only Authorized personnel such as a qualified electrician should service the product.**

▶ Otherwise, malfunctions may cause electric shock, fire, or injury.



**Please avoid installing the product while bathroom is wet. Do not splash water on the product.**

▶ Otherwise, electric shock, fire, damage may occur.



**Do not urinate on the product.**

▶ Otherwise, electric shock may occur.



**Do not use polluted water supply.**

▶ Otherwise, the water may damage the device or harm the user.



# SAFETY PRECAUTIONS

## ⚠ ATTENTION

If using any chemical toilet bowl cleaner, be sure to wipe up any spills that splash onto the plastic areas of the product. Do not use any acidic chemical detergent. Only neutral detergents are permitted.

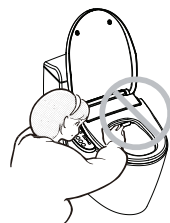
▶ Otherwise, the plastic may break and cause body damage, electric shock, or fire.



Do not stand, sit, or lean forcefully on the lid of the bidet toilet seat. Do not open or close the lid/seat ring forcefully to avoid damage.



Do not block the dryer door with hands or other objects. Do not cover the door during use.



Please do not let water or detergent wet the bidet toilet seat or power plug.

▶ Otherwise, there may be a risk of electric shock or fire.



# SAFETY PRECAUTIONS

## ⚠ WARNING

Do not use warm or heated temperature settings for extended periods of time.



Do not expose to direct sunlight or heating device.



Please make sure the user is fully seated (see image below). Otherwise, the cleaning or drying function will stop.



Do not use a timer power source or external switch to turn the device on/off. The thermal cutoff device may cause danger.



Please turn off the water supply before replacing the filter. Firmly attach the filter before opening the water supply.



▶ Otherwise, leakage may occur.

Do not urinate on the nozzle.

▶ Otherwise, the nozzle may become obstructed.



Please unplug and close water sources to the device when away for extended periods of time.



▶ Otherwise, leakage or fire may occur.

Please use provided accessories to install the device. Do not use old parts.



▶ Otherwise, leakage may occur.

In very low temperatures, the water within the device may freeze after long periods of disuse. To avoid damage, please warm the unit to melt the ice.

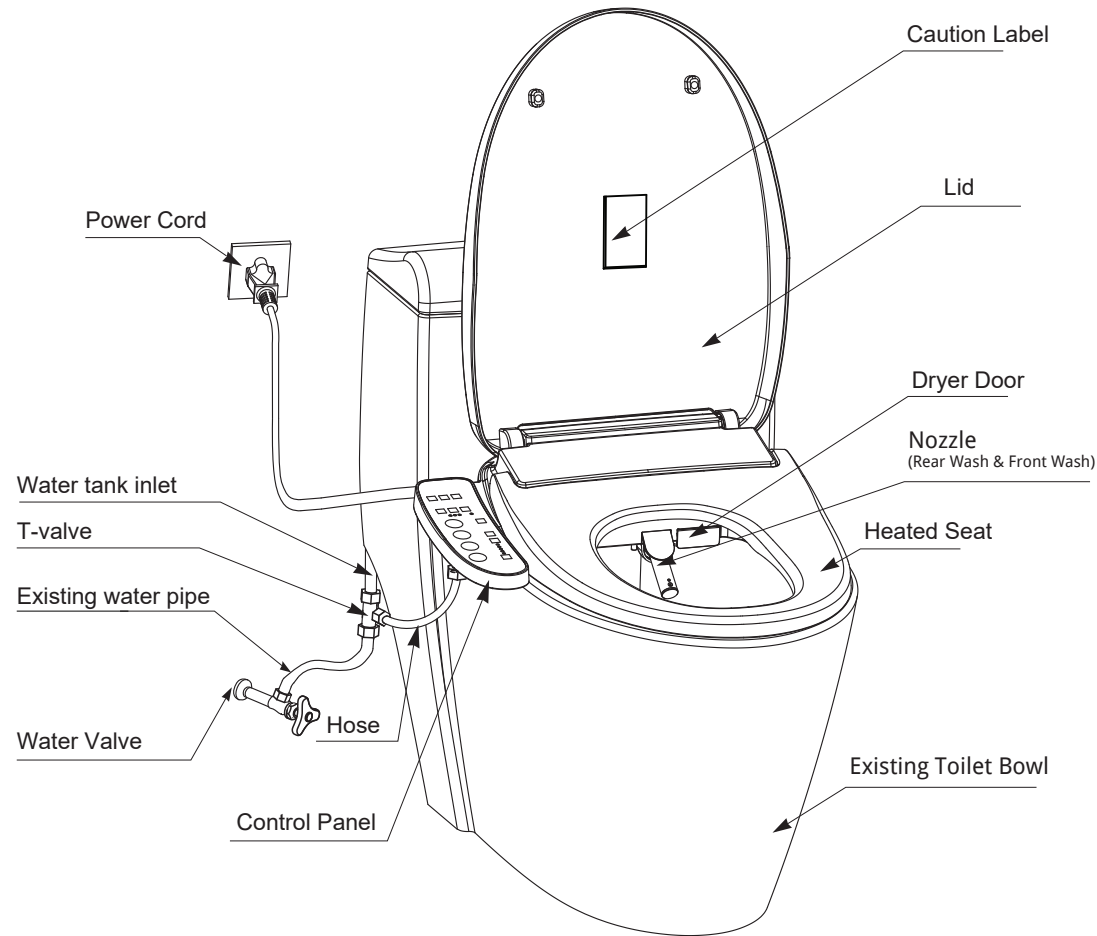


During power failure, unplug the device and close the water supply valve to prevent leaking.

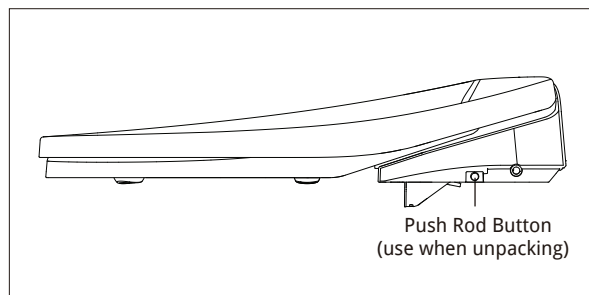


# PARTS DIAGRAM

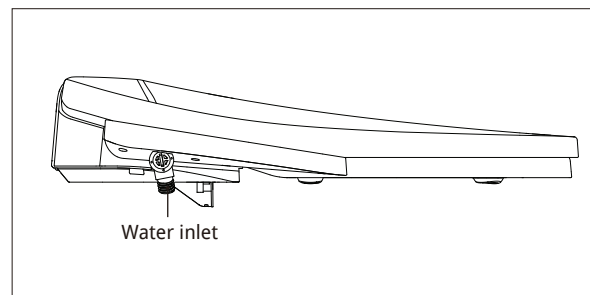
## PRODUCT OVERVIEW



## VIEW FROM THE RIGHT

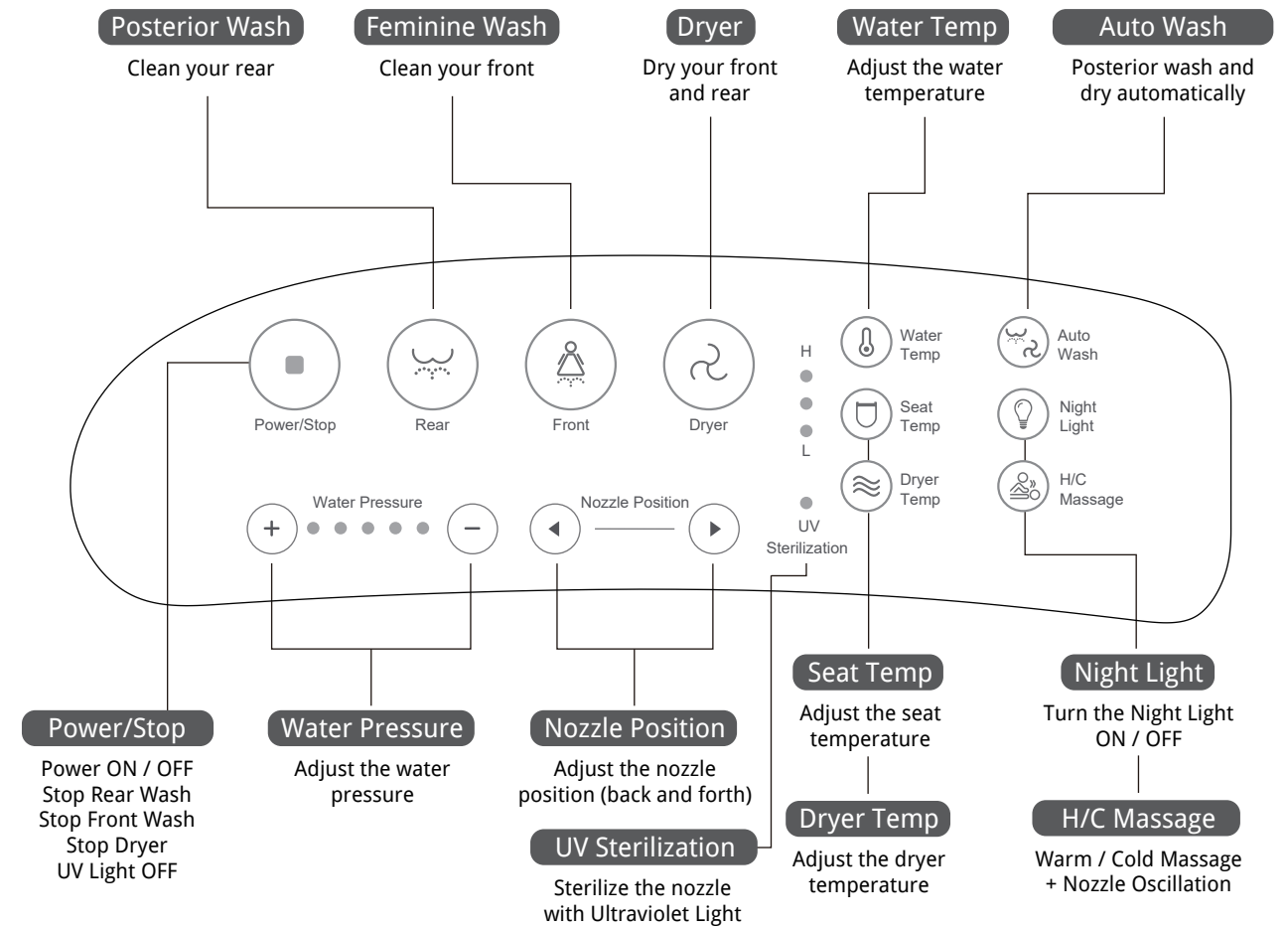


## VIEW FROM THE LEFT



# PARTS DIAGRAM

## CONTROL PANEL



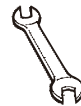
# PRODUCT INSTALLATION

## TOOLS NEEDED

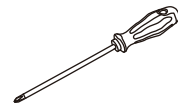
Adjustable Wrench (1.02in+ width) **OR** Open End Wrench (0.91-1.02in)



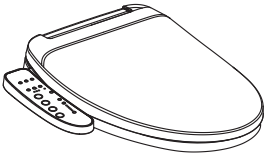
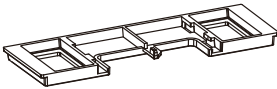
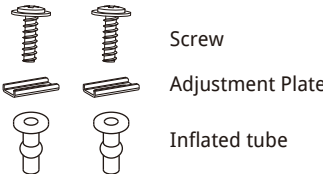
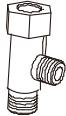
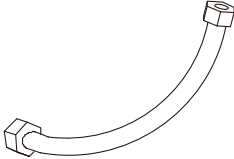
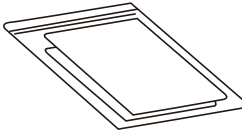
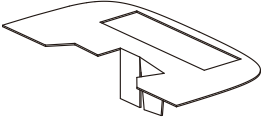
**OR**



Phillips ⊕ Screw Driver



## PARTS INCLUDED

<p>Smart Bidet (1 set)</p> 	<p>Catch Plate (1 pc)</p> 	<p>Screw components (2 sets)</p>  <p>Screw</p> <p>Adjustment Plate</p> <p>Inflated tube</p>
<p>T-valve (1 pc)</p> 	<p>Hose (1 pc)</p> 	<p>Owner's Manual (1 pc)</p> 
<p>Fixed Card (1 pc)</p> 		

After opening the package, please confirm that you have received all parts listed above. If you are missing any parts, please contact us.

# PRODUCT INSTALLATION

## BEFORE INSTALLATION

**IMPORTANT!** Before installing the product, please make sure that you meet all the requirements listed below.

### Power Requirements

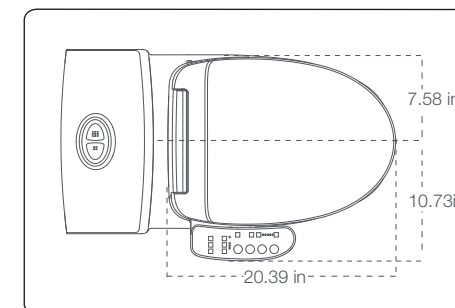
- ▶ The power rating should be within the required range (AC 120V ± 10%, Max current 10A above)
- ▶ The power outlet should be close enough to reach the power cord (47.24in) but far from where water can hit it.
- ▶ This product must be grounded.
  - The wiring should be installed by a professionally licensed electrician.
  - Please do not plug in the product before installation is complete to prevent malfunction.

### Water Requirements

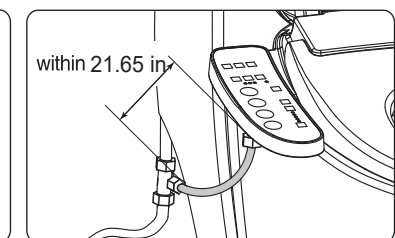
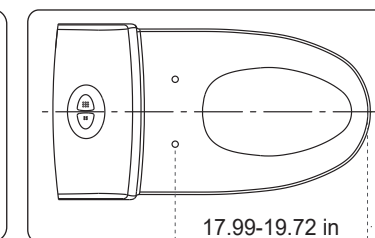
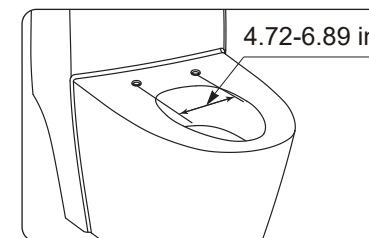
- ▶ The minimum dynamic water pressure required is 0.08MPa.
- ▶ The maximum static water pressure required is 0.8MPa.
- ▶ Water pressure below the min and max range above will affect the performance of the product.

### Sizing Requirements

- ▶ Please measure your toilet to make sure that there is enough space for the bidet (20.39 in long).



- ▶ The distance between the 2 mounting holes must be within 4.72-6.89 in.
- ▶ The distance from the filter to the bidet inlet should be 21.65 in or less.
- ▶ The distance between the mounting holes and the edge of the toilet bowl must be within 17.99-19.72 in.



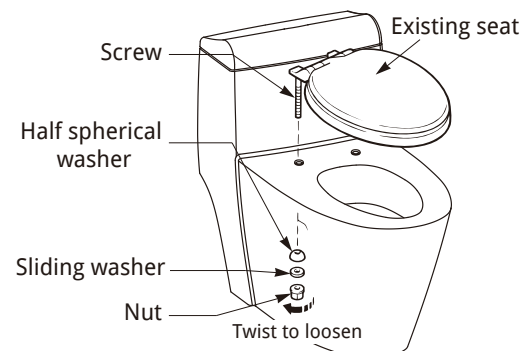
※The product has no Ground Fault Circuit Interrupter, It should be installed in the line with Ground Fault Circuit Interrupter, Otherwise, the accidental failure of this product may result in the loss of life or property.

# PRODUCT INSTALLATION

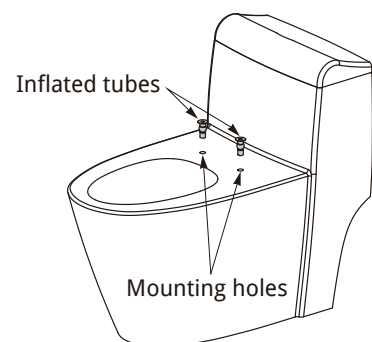
## INSTALLATION STEPS

### 1 Install the electronic bidet seat

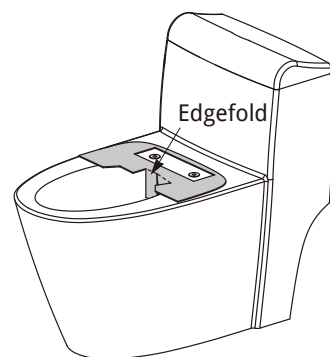
1. Remove the existing toilet seat.
  - (a) Remove the toilet seat mounting bolts.
  - (b) Remove the existing toilet seat from the toilet.



2. Insert the inflated rubber tube set into the mounting holes on the toilet bowl.

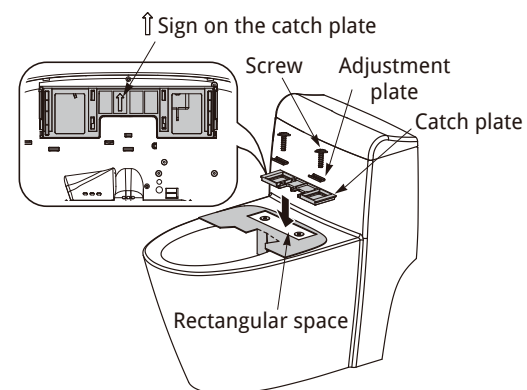


3. Place the Fixed Card on the toilet bowl where the mounting holes are. Make sure that the wash / dry gates are close to the rim and pointed down

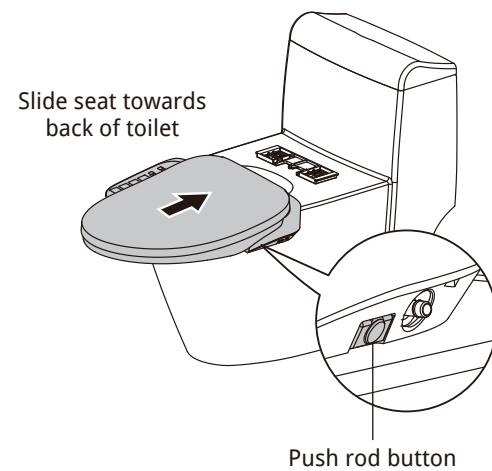


4. Install the Catch Plate
  - (a) Place the Catch Plate in the rectangular space of the Fixed Card. The arrow should point to the back of the toilet.
  - (b) Secure the Catch Plate using the adjustment plates and screws.

The ↑ sign should point towards the back of the toilet



5. Install the electronic toilet seat
  - (a) Remove Fixed Card.
  - (b) Press the push rod button and slide the seat into the Catch Plate.
  - (c) Adjust the position of the seat and loosen the screws to adjust position, if necessary.

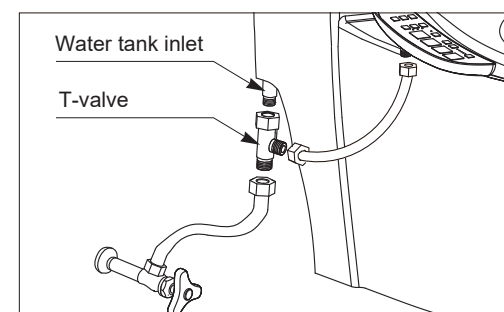


# PRODUCT INSTALLATION

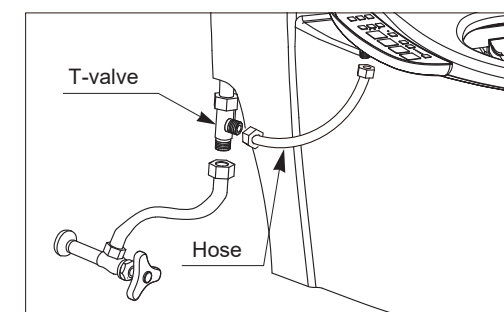
## INSTALLATION STEPS (CONT.)

### 2 Install the filter and hoses

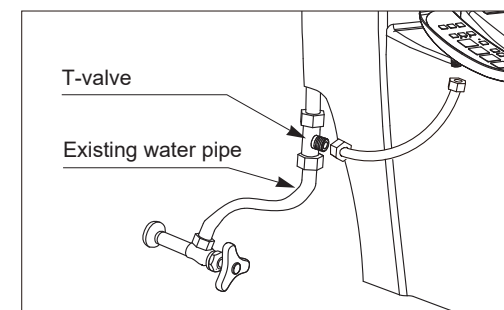
1. Connect T-valve to tank.



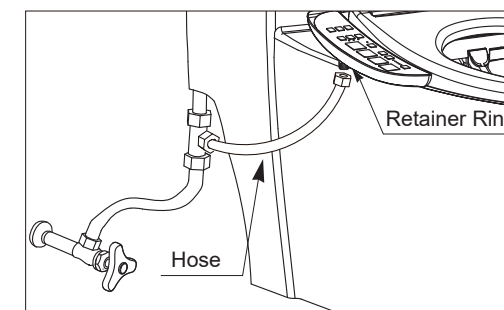
2. Connect the hose to T-valve.



3. Existing water pipe connect T-valve.

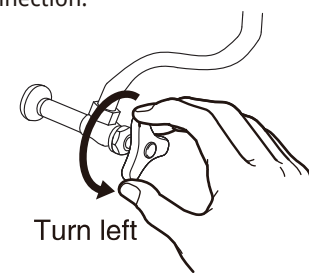


4. Connect the hose to bidet and then use collar to fix.



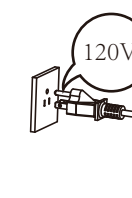
### 3 Turn on the water

1. Turn the water back on by turning the knob on the supply angle valve counter-clockwise until the valve is fully open.
2. Check all connections carefully and make sure that there is no water leakage from any connection.
  - (a) If there is leaking from a connection, retighten the connection.



### 4 Link the power

1. Insert the bidet plug into the outlet (120V).



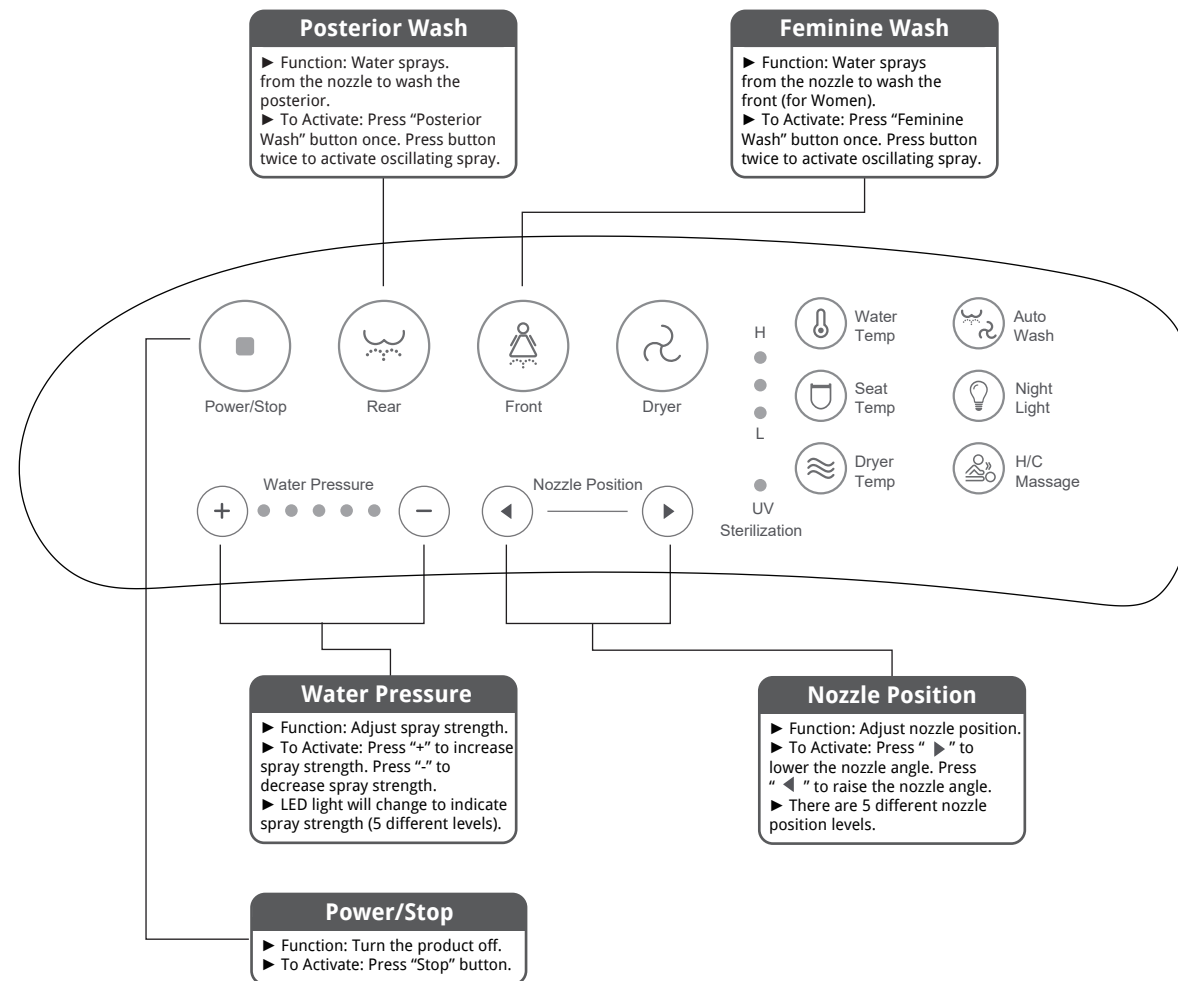
2. Confirm the power connection.
  - (a) Press and hold down the power button for 3 seconds to turn on the bidet seat.
  - (b) The spray strength indicator on the control panel should light up when the bidet turns on.



# PRODUCT OPERATION

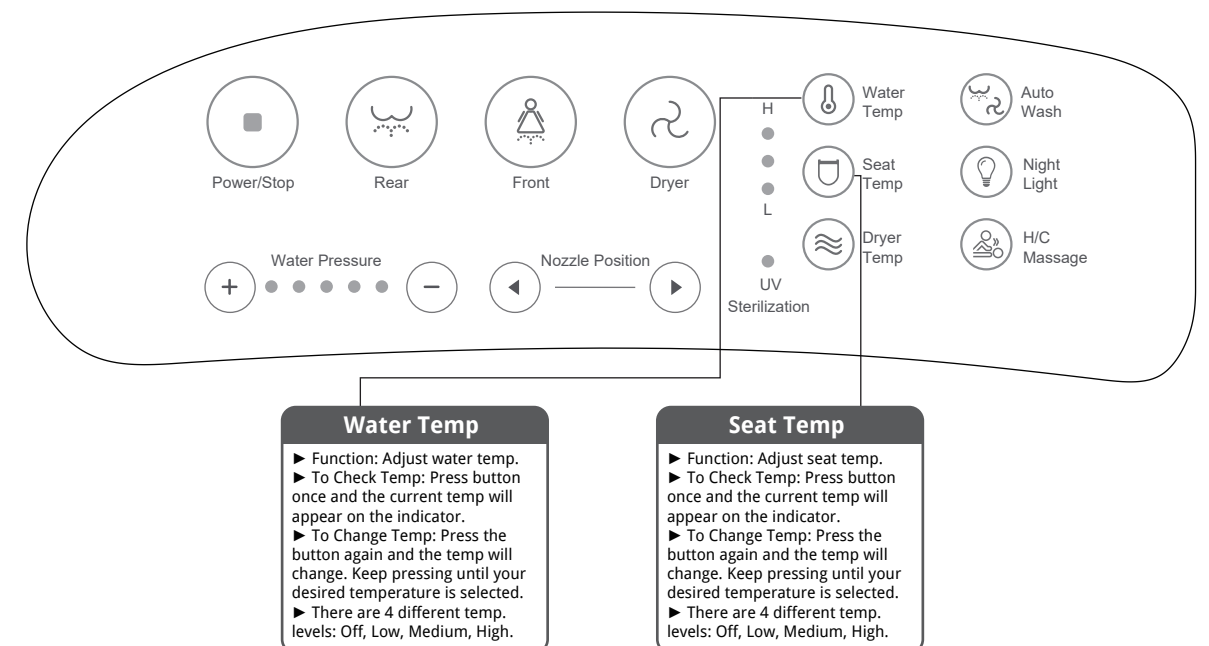
## BASIC FUNCTIONS

- ▶ Functions will only work when user is seated on the bidet seat.
- ▶ Dryer will automatically stop after using for 4 minutes.



# PRODUCT OPERATION

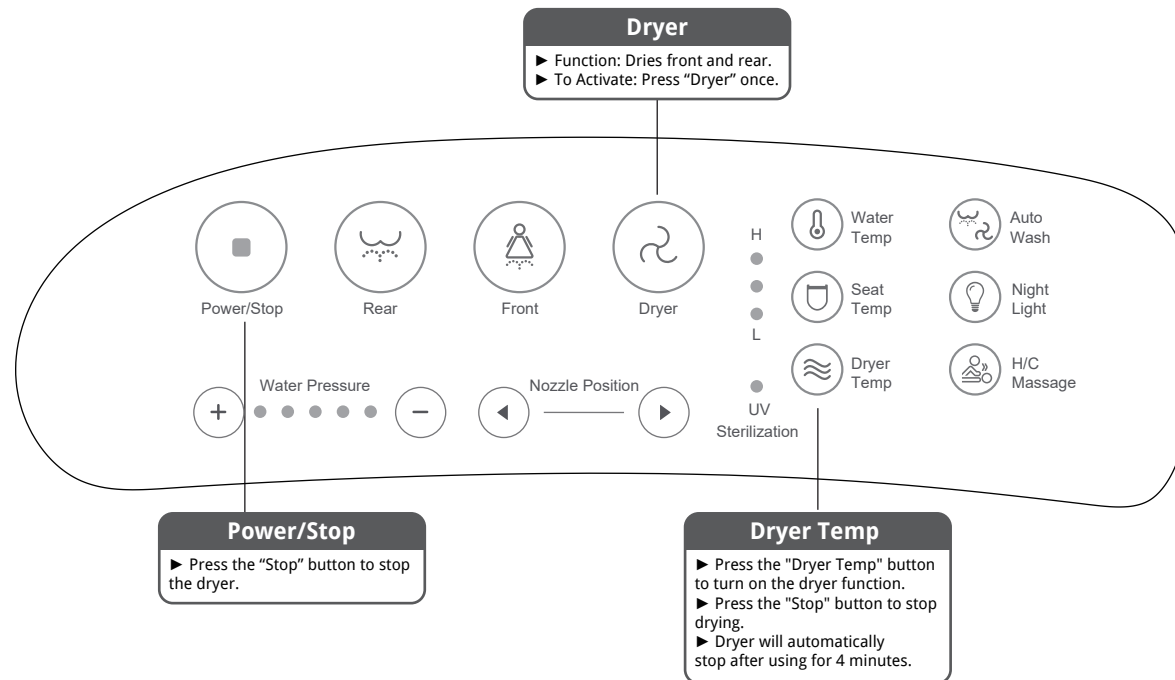
## BASIC FUNCTIONS (cont.)



# PRODUCT OPERATION

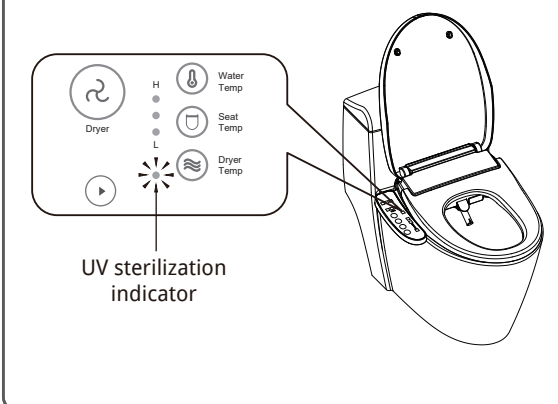
## DRYER

- Dryer will automatically stop after using for 4 minutes.



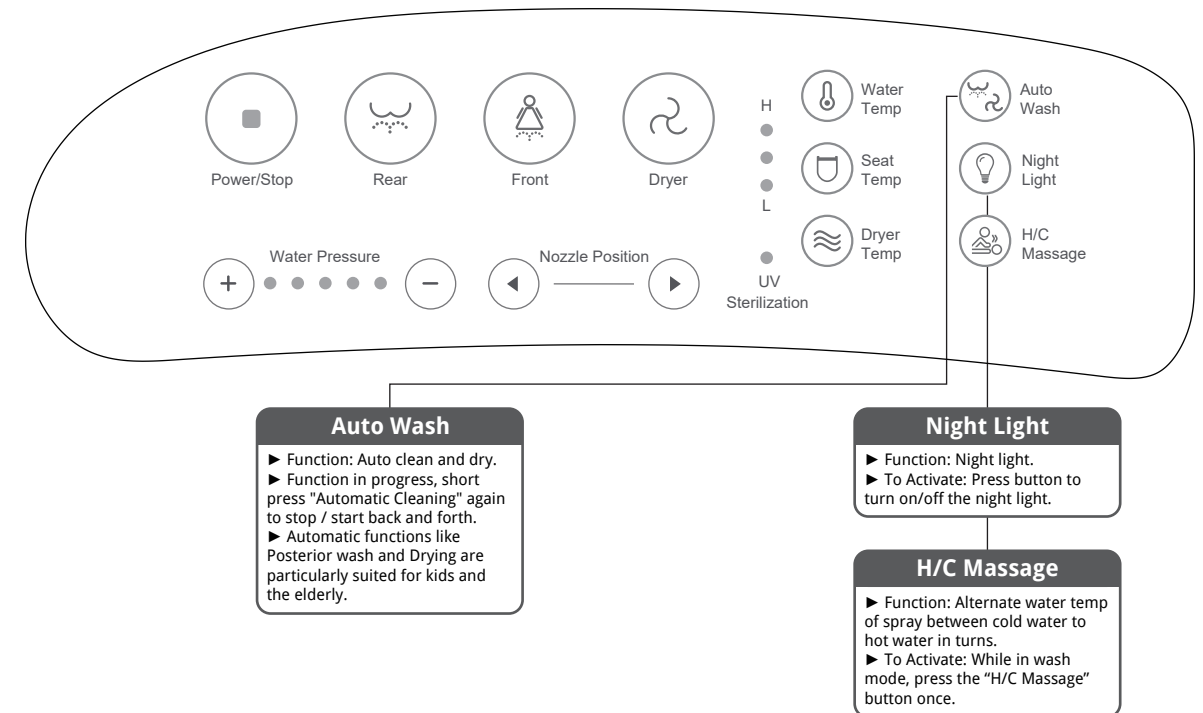
## UV STERILIZATION

- The UV light will automatically turn on 10 seconds after the user rises from the seat and will remain active for 3 minutes. The UV sterilization indicator will turn red when UV sterilization is in progress and will turn off when complete.



# PRODUCT OPERATION

## OTHER FUNCTIONS



## RESTORING FACTORY SETTINGS

- To restore the product to the original factory settings, pull the plug from the wall, wait 1 minute, then reconnect the plug. The Water Temp., Seat Temp., Dryer Temp., Spray Strength, and Nozzle Position will restore to the original Middle level settings.



# PRODUCT OPERATION

## MAINTENANCE

- ▶ Before maintenance, please unplug the power source and shut off the water supply.
- ▶ Regular maintenance is required to ensure that the product operates at optimum efficiency.

### Maintenance of Lid, Seat, and Plastic Parts

- ▶ Wipe the lid, seat, and plastic parts with a wet soft cloth (water).
- ▶ Please wipe with water frequently or the product will become hard to clean later if the dirt and debris is not removed on time. Wiping with water can also help prevent static electricity from generating around the product, which can cause the product to accumulate dust and become dirty.
- ▶ For a deeper clean, the bidet can be removed from the toilet to access the surface beneath. To remove the bidet, press the catch plate button located on the right side of the bidet, then lift the bidet slightly to extract. (do not remove the bidet forcefully).

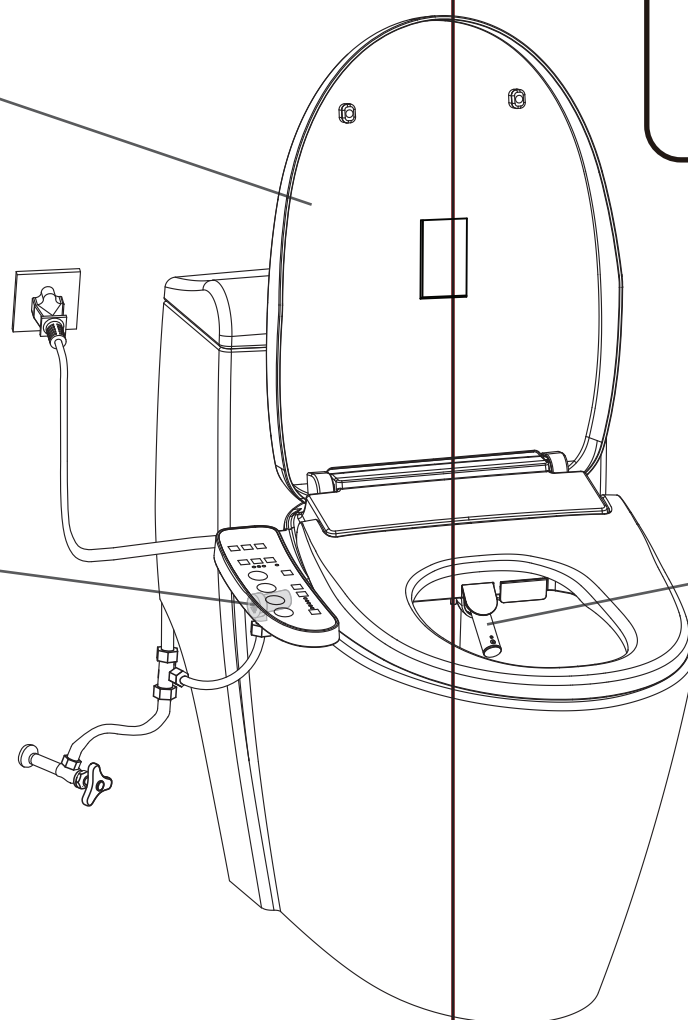


### Maintenance of Steel Mesh Filter

- ▶ For your health, as well as optimal performance of the bidet, please clean or replace the filter regularly.
- ▶ If you notice that the water pressure is becoming weaker, please wash or replace the filter.
- ▶ Please make sure to turn off the water supply completely before removing the filter. Attach the new filter securely to avoid leakage.
- ▶ Turn the coin counterclockwise to open the filter and use a brush to clean.



Recommended: Every 1-2 months

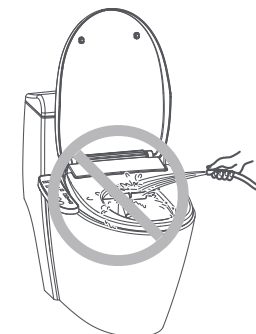


# PRODUCT OPERATION

## MAINTENANCE (cont.)

### ⚠ ATTENTION

Do not spray water or detergent on the bidet, remote control, or power cord.  
▶ Otherwise, electric shock or fire may occur.

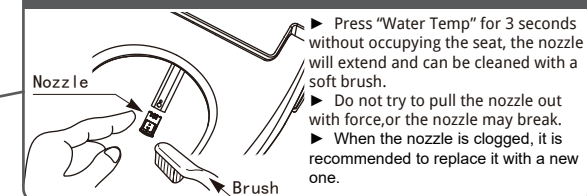


### ⚠ WARNING

While cleaning the plastic parts, do not use strong, acidic chemical cleaners (concentrated sulfuric acid, nitric acid, glacial acetic acid, carbon tetrachloride, chloroform, acetone, butyl ketone, benzene, toluene, phenol, cresol, methyl ether, methyl formamide, soybean oil, vinegar, 40% nitric acid, hydrochloric acid, 95% alcohol liquor, gasoline, kerosene, brake oil, etc.). Please only use neutral cleaners.  
▶ Otherwise, the plastic may break, and cause body damage, electric shock, or fire.



### Maintenance of the Nozzle



- ▶ Press "Water Temp" for 3 seconds without occupying the seat, the nozzle will extend and can be cleaned with a soft brush.
- ▶ Do not try to pull the nozzle out with force, or the nozzle may break.
- ▶ When the nozzle is clogged, it is recommended to replace it with a new one.

# PRODUCT OPERATION

## TROUBLESHOOTING

► If you experience any of the problems below, please follow the suggested solutions. If you continue to experience issues after trying the solutions, please consult with a qualified electrician or serviceman.

### Power button

Problem	Possible Causes	Possible Solutions
Toilet is not working	Blackout or loose socket	Check that power cord is plugged in
	Power off (Power indication light not on)	Press power button until indication light turns on
	Electric leakage	Unplug power cord, re-connect, then power on. If it is still not working, please unplug again and contact us

### Wash functions

Problem	Possible Causes	Possible Solutions
Water does not spray	No water in the supply	Wait for the water to restore to its normal levels
	Water supply is turned off	Turn water supply valve to turn on water
	Filter is stuck	Clean or replace filter
	Water hose is twisted	Stretch hose until it becomes untwisted
Water pressure is weak	Water level is set to LOW	Turn up water level to higher setting
	Filter is stuck	Clean or replace filter
Spray is off-center	Operational failure	Unplug device and re-plug in after 1 min
Water is not warm	Water temp. is set to LOW	Turn up water temp. level to higher setting
Water is leaking	Parts are loose or damaged	Contact us
Wash function does not activate	Check if the seat is lifted or sitting on something	Fix seat so it is flush on the bowl and remove any objects underneath
	Body sensor is broken	Contact us

# PRODUCT OPERATION

## TROUBLESHOOTING (cont.)

### Dryer

Problem	Possible Causes	Possible Solutions
Dryer is not warm	Dryer temp. is set to OFF	Turn up dryer temp. to higher setting
	Dryer is broken	Contact us
Dryer stops during use	Dryer will stop every 4 mins	Enable dryer again

### Heated Seat

Problem	Possible Causes	Possible Solutions
Seat temp. not warm	Seat temp. is set to OFF	Turn up seat temp. to higher setting
	Power-saving mode on	Turn off power-saving mode

### Other

Problem	Possible Causes	Possible Solutions
Lid or seat closes fast	Damping is broken	Contact us
Functions work in turns nonstop	QA testing model activated	Unplug device and re-plug in after 1 min

# PRODUCT INFORMATION

## SPECIFICATIONS

Model Number		F1S525
Rated Voltage		AC 120V, 60Hz
Rated Power		1050W
Environmental Temp		41°F ~104°F
Water Inlet Environment		41°F ~104°F
The range of water inlet pressure	Minimum necessary water pressure	0.08MPa, and also make sure the water flow is above 2.3L/10s
	Maximum water pressure	0.8MPa (in a static condition)
Flushing	Way for heating	Transient heating
	Temp pf warm water	Off/about 86°F ~104°F
The length of power line		3.9 ft
The size of product		20.39" x 18.31" x 4.84"

## LED LIGHT INDICATION

Red	Bidet seat is in normal working status.
White	Bidet seat is in ultraviolet sterilization status (The ultraviolet sterilization is automatically on for 180 seconds when move away from the seat sensor in 10 seconds).

*Winfield*<sup>®</sup>  
Simple Elegance

**Winfield Products**  
1689 E. Mission Blvd., Pomona, CA 91766  
support@winfieldproduct.com  
www.winfieldproduct.com

V201007